





Save Time! Save Money!

All 3000 Series Parts Numbers are Complete "Ready to Use" Assemblies.

| Ref | Description | Model | Model | Model |
|-----|-------------------------------------|--------------------------------|----------------------------------|----------------------------------|
| | | MM860 Contr MM861 HD P/N | MM1060 Contr MM1061 HD P/N | MM1260 Contr MM1261 HD P/N |
| 1 | Cam Tube | 4858 | 4859 | 4860 |
| 2 | F-Bar, Silver w/SS Strip Contr | 3662 | 3664 | 3666 |
| 3 | F-Bar, Silver w/SS Strip HD | 3663 | 3665 | 3667 |
| 4 | Front Hinge w/Black Vinyl Contr | 3671 | 3672 | 3673 |
| 4 | Front Hinge w/Black Vinyl HD | 3671 | 3672B | 3673 |
| 5 | Rear Hinge Contr | 4674 | 4676 | 4678 |
| 6 | Rear Hinge HD | 4675 | 4677 | 4679 |
| 7 | Base Rail Contr | 4741 | 4743 | 4745 |
| 8 | Base Rail HD | 4742 | 4744 | 4746 |
| 9 | Wear Strip, Black | 4734 | 4735 | 4736 |
| 10 | *Strip, Stainless Steel Power Lock™ | 4792 | 4793 | 4794 |
| 11 | Pin, Stainless Steel Hinge | 4062 | 4063 | 4064 |
| 12 | Rule, Tape Inches/Metric | 4765 | 4765 | 4765 |

*Can ship via UPS in 2 pcs.

Optional Accessories

| TrimCutter™ 3017 | Wheel Kit 3035 | UniStand™ USA2 | TrimFormer™ 3015 |
|---|---|---|---|
|  |  |  |  |
| Cuts wide range of materials on all Mark Series brakes | Fits All Van Mark 20" Brakes Attaches to one end of Brake Base Rails | Provides stable footing for many Van Mark tools | Add architectural depth to trim work |

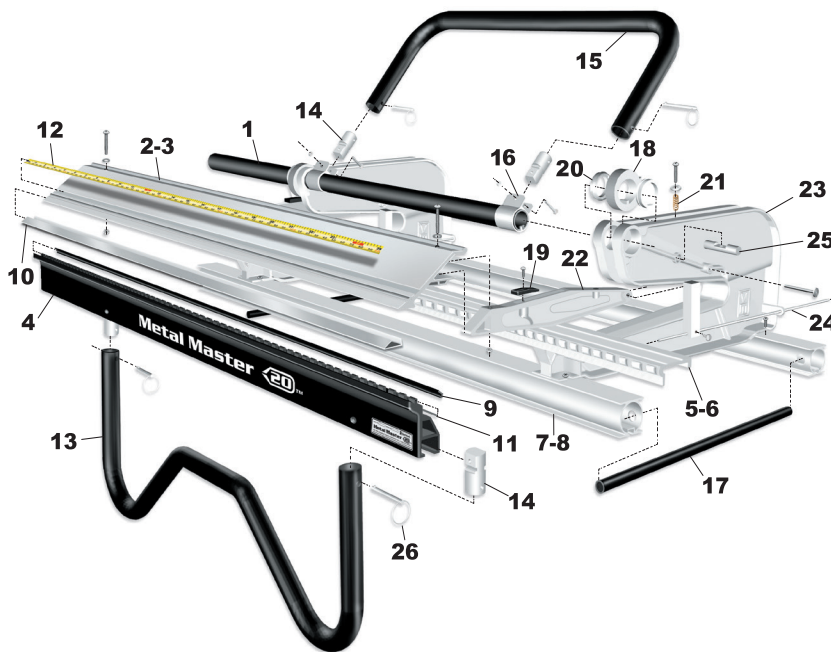
Parts For All Models

| Ref | Part Name | P/N |
|-----|---------------------------------------|-------|
| 13 | Handle, Bending | 4850 |
| 14 | Handle Post (2 ea) | 3906 |
| 15 | Handle, Locking | 4764 |
| 16 | Bracket, Locking Handle | 4107 |
| 17 | Handle, Carrying (2 ea) | 3686 |
| 18 | Cam, Locking | 4801 |
| 19 | Pads, Wedge UHMW (7 ea) | 3973 |
| 20 | Bearing, Cam-Tube UHMW (2 ea) | 3901 |
| 21 | Springs, Coil 3/4 x 1 3/4 inch (4 ea) | 3902 |
| 22 | Casting, Upper Pivot Arm | 4462B |
| 23 | Casting, Base C Clamp | 4870 |
| 24 | Material Stop Assembly (2 ea) | 3687 |
| 25 | Spring, Pivot Pin | 4767 |
| 26 | Faspins (4 ea) | 3655 |

Tune-Up Kit

Contractor Model P/N 3913

| Ref | Description |
|-----|--------------------------------|
| 9 | Strip, Black Vinyl Wear |
| 19 | Wedge Pads UHMW |
| 21 | Springs, Coil 3/4 x 1 3/4 inch |
| 26 | Faspins |



Metal Master® 20™

Orders must include model and serial no. in order to guarantee correct parts are shipped.

